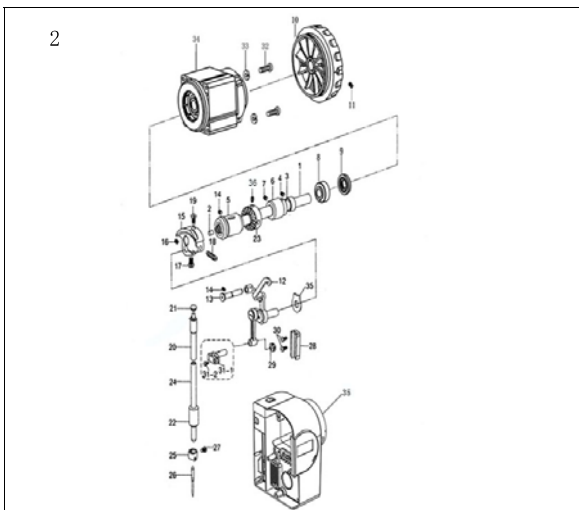


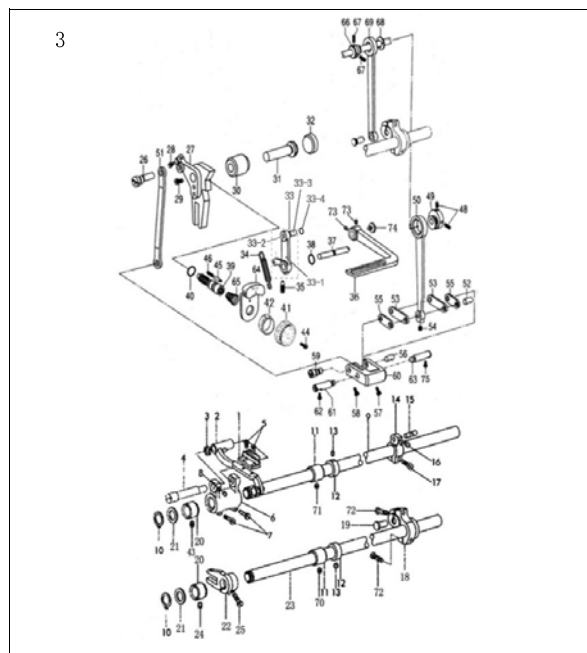
1. 机壳、外装分组件/Machine frame & miscellaneous cover components

序号NO.	公司件号 Part No.	名称 PartName	零件描述 Description	数量 Number
1	14701003	面板	Face plate arm	1
2	201511025	面板螺钉	Screw	3
3	14713003	面板线勾	Arm thread guide	1
4	10113004	右线勾	Arm thread guide	1
5	101511007	线勾螺钉	Screw	3
6	1381300400	小夹线组件	BOBBIN THREAD TENSIONASM	1
6-1	13812006	过线板	Thread tension guide plate	1
6-2	13810008	小夹线油螺柱	Thread tension post	1
6-3	11212004	小夹线板	Thread tension disk	2
6-4	11227001	小夹线弹簧	Thread tension spring	1
6-5	138516019	小夹线螺母	Thread tension nut	1
7	113514002	小夹线固定螺钉	SCREW	1
8	13813010	下勾线	FRAME THREAD GUIDE	1
9	1351300300	夹线组件	Thread tension asm	1
9-1	135330002	夹线螺钉	Thread tension post	1
9-2	138316013	夹线螺母	Tension nut	1
9-3	14227024	夹线弹簧	Thread tension spring	1
9-4	13513004	夹线板	Disk stopper	1
9-5	13513005	夹线板	Thread tension disk	2
9-6	10127001	取线簧	Takeup spring	1
9-7	13513006	夹线调音底座	Thread tension post base	1
9-8	101515005	夹线调音座螺钉	Screw	1
9-10	13813008	夹线螺母止动板	Tension disc stopper	1
9-11	001050	O型圈	Ring14.5x1.5	1
10	136514002	夹线螺母固定螺钉	Screw	1
11	14712018	挑线杆护罩	Thread take-up lever cover	1
12	101511004	挑线杆护罩螺钉	Screw	1
15	13513007	松线钉	Thread release pin	1
17	13520001	橡皮塞(φ19)	Rubber plug φ19	1
18	13812019	卷边器座	Roller stop seat	1
19	401516001	螺钉	Screw	2
20	13520001	底板螺钉(尾部)	Bed screw stud(tail)	2
21	002004	弹簧垫圈	Spring washer	4
24-1	13515002	滑板	Slide plate	1
24-2	13512007	推板簧	Slide plate spring	1
24-3	101511019	推板螺钉	Screw	2
25	13515001	针板	Throat plate	1
26	101517002	针板螺钉	Screw	2
27	1471300100	绕线器组件	Bobbin winder unit	1
28	114311003	橡胶钉 3/16×28 L=10	Rubber plug φ10.5	3
29	11410001	切线刀	THREAD CUTTER	1
30	101511005	螺钉	SCREW	2
31	1361300800	绕线夹线器	BOBBIN THREAD TENSION ASM	1
32	13520010	底板螺钉(头部)	Bed screw stud(head)	2



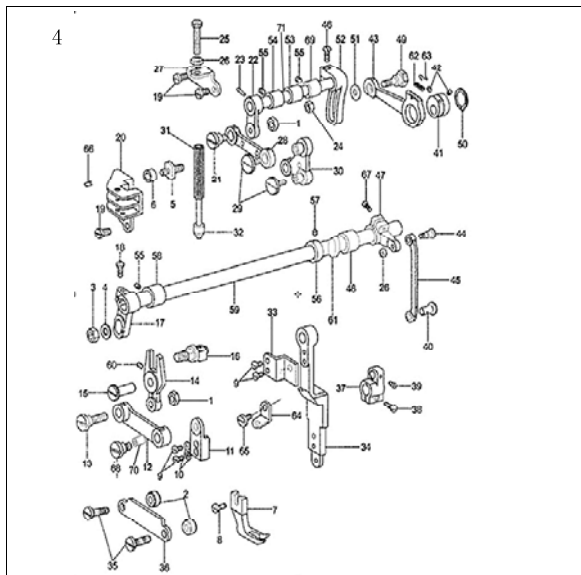
2. 上轴挑线分组件/Main shaft & thread take-up components

序号NO.	公司件号 Part No.	名称 PartName	零件描述 Description	数量Number
1	14702011	上轴	Main shaft	1
2	10122012	上轴橡皮塞	Rubber plug	1
3	10108003	上轴紧圈	Thrust collar asm.	1
4	135515004	上轴紧固螺钉	Screw	2
5	13603023	上轴前轴套	Main shaft bushing, front	1
6	13503017	上轴中轴套	Brushing, intermediate	1
7	135515006	上轴中套螺钉	Screw	1
8	13603017	上轴后套	Main shaft bushing, back	1
9	13522010	上轴后轴套油封组件	Main shaft	1
10	14735002	主动轮	Screw	1
11	510009	主动轮螺钉	Screw	1
12	1353000200	挑线杆组件	Thread take-up asm	1
13	13542003	挑线连杆凸轮槽	Thread take-up crank shaft	1
14	135515009	挑线连杆凸轮螺钉	Screw	2
15	13501001	针杆曲柄	Counterweight	1
16	101515007	挑线曲柄定位螺钉	Screw	1
17	135512001	挑线曲柄螺钉	Screw	1
18	101515004	针杆曲柄螺钉	Screw	1
19	135511002	针杆曲柄定位螺钉	Screw	1
20	14703006	针杆上衬套	Needle bar metal, upper	1
21	10122013	针杆上衬套橡皮塞(φ8.5)	Cap	1
22	13503007	针杆下衬套	Needle bar metal, lower	1
23	14735001	驱动轮	RTW-DRIVING-WHEEL	1
24	13602002	针杆	Needle bar	1
25	13513011	针杆过线环	Needle bar thread guide	1
26	13517001	机针	Needle	1
27	101511006	夹针螺钉	Screw	1
28	13609001	滑块槽	Needle bar trough	1
29	11409001	针杆接头滑块	Slide block	1
30	101511008	滑块导轨螺钉	Screw	2
31-1	13503002	针杆接头	Needle bar connection	1
31-2	101511005	针杆接头螺钉	Screw	1
32	114513001	电机安装螺钉	Screw	1
33	13620013	电机线圈	Motor coil	4
34	136330300	充电问题电机	Charging problem motor	1
35	1473304200	简易电控	Simple model electric control	1
36	510009	驱动轮螺钉	Screw	2



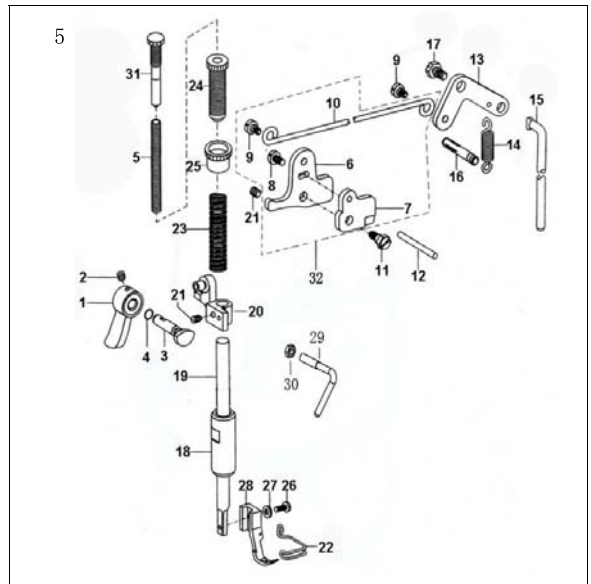
3. 送料分组件 Feed mechanism components

序号NO.	公司件号 Part No.	名称 PartName	零件描述 Description	数量 Number
1	13514001	送布牙	Feed dog	1
2	135070000	牙架小组件	Feed bar asm	1
3	13528004	牙架垫圈	Washer	1
4	13502005	牙架销	Feed bar shaft	1
5	101S11018	送布牙螺钉	Screw	2
6	13504003	牙架座	Feed rocker asm.	1
7	101S11016	曲柄螺钉	Screw	2
8	101S11008	螺钉	Screw	1
9	13602003	送布轴	Feed rocker shaft	1
10	003001	轴用弹性挡圈15	Retaining ring	2
11	13503020	送布牙-送布轴中轴套	Thrust collar asm.	2
12	10108003	挡圈	Retaining ring	2
13	135S15004	螺钉	Screw	4
14	13504004	送布曲柄(右)	Feed rocker shaft crank asm	1
15	13528001	送布曲柄短销	Walking foot pin	1
16	101S11025	螺钉	Screw	1
17	105S11019	螺钉	Screw	1
18	13504005	折牙右曲柄	Feed lifting rock shaft crank(right)	1
19	13502009	折牙曲柄铰链轴	Hinge pin	1
20	13603024	送布轴前轴套	Bushing for feed rock shaft(right)	2
21	13603005	送布轴前轴套	Washer	2
22	13505004	折牙叉	Feed forked connection	1
23	13603004	折牙轴	Feed lifting rock shaft	2
24	135S15009	折牙、下轴轴套螺钉	Screw	2
25	101S11020	折牙叉紧固螺钉	Screw	1
26	13511002	针距调节连接销钉	Hinge pin	1
27	13509003	针距座	Feed regulator	1
28	101S11020	针距座长螺钉	Screw	1
29	135S11009	针距座短螺钉	Screw	1
30	13503026	针距座衬套	Feed regulator bushing	1
31	13502011	针距座轴	Hinge pin for feed regulator	1
32	13622014	橡皮塞(Φ19.5)	Rubber plug(Φ19.5)	1
33	13504010	脚踏操作杆曲柄组件	Slide block pin component	1
34	13504006	脚踏操作杆曲柄	Slide block pin	1
35	13502012	操作杆曲柄滚柱	Torstick crank roller	1
36	13509006	滚柱	Roller	1
37	13509010	垫片	Gasket	1
38	13527007	操作杆曲柄弹簧	Spring for feed crank	1
39	135S15014	操作杆曲柄螺钉	Screw	1
40	301763	脚踏操作杆	Reverse feed lever asm	1
41	13502013	脚踏操作杆短轴	Reverse feed lever shaft	1
42	001137	φ穿圈6.3×1.8	O-ring	1
43	136S30004	针距调节螺钉	Feed regulator screw bar	1
44	001046	穿圈9.5×2.5	O-ring	1
45	147110020	脚踏板盖	Dial	1
46	13522007	橡胶塞	Dial	1
47	101S11012	螺钉	Screw	1
48	101S11022	针距座螺钉	Dial screw	1
49	11426022	止动销	Stopper pin	1
50	11427034	止动弹簧	Spring for stopper pin	2
51	135S15007	送布凸轴螺钉	Screw	3
52	135110003	送布凸轴	Feed drive eccentric cam.	1
53	13505005	送布连杆	Feeder shaft connecting rod	1
54	13505006	针距调节连杆	Rocker shaft connecting rod	1
55	13503014	曲柄送杆长销	Walking foot link	1
56	13503007	曲柄送杆短销	Walking foot pin	2
57	101S11025	送布送杆螺钉	Screw	1
58	13505008	曲柄送杆销	Connecting link	2
59	13528003	曲柄送杆短轴	Walking foot link	1
60	201S11012	短送杆销螺钉	Screw	1
61	201S11007	送杆偏心轴螺钉	Screw	1
62	13502015	送杆偏心轴	Hinge pin	1
63	13504007	针距调节曲柄	Walking foot adjusting link	1
64	13502016	针距调节曲柄定位销(左)	Adjusting link fulcrum shaft	1
65	105S11019	左右定位销螺钉	Screw	1
66	13503017	针距调节曲柄定位销(右)	Adjusting link fulcrum shaft	1
67	14212008	脚踏板键	Feed regulator key-press	1
68	13527009	针距按键簧	Dial spring for stopper pin	1
69	13511004	折牙凸轴	Feed drive eccentric cam.	1
70	135S15007	折牙凸轴螺钉	Screw	3
71	13528002	凸轴隔片	Thrust collar	1
72	13505001	折牙送杆	Connecting rod	1
73	135S15006	送布轴套螺钉	Screw	1
74	135S11048	折牙右曲柄螺钉	Screw	2
75	135S11009	扳手螺钉	Set screw	2
76	135S11022	脚踏操作杆套螺钉	Pin screw	1
77	114S11004	左右定位销螺钉	Screw	1



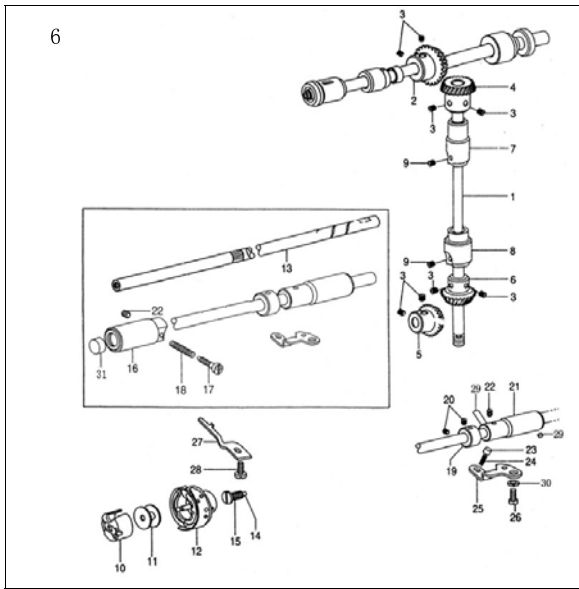
4. 上送料部件 Upper feed Parts

序号NO.	公司件号 Part No.	名称 PartName	零件描述 Description	数量 Number
1	135S16004	压脚送料变动连接螺母	Nut	2
2	13508003	压脚送料压板垫块	Shim	2
3	135S16005	压脚送料连接螺母	Nut	1
4	11628005	压脚送料连接垫圈	Washer	1
5	135S30006	送料曲柄导柱轴	Guide shaft	1
6	13508004	提升压脚导柱轴滚柱	Needle of bearing	1
7	13516002	摆压脚	Walking foot	1
8	135S11030	压脚螺钉	Screw	1
9	201S11012	摆动连杆座螺钉	Screw	4
10	002002	摆动连杆座螺钉弹簧垫圈	Washer	2
11	13501004	摆压脚衬套	Holder for walking foot bar	1
12	13505010	摆压脚送料轴	Link of walking foot	1
13	135S20009	压脚送料变动连接螺钉	Screw	1
14	13505011	摆压脚叉形杆	Fork lever	1
15	13526006	摆压脚叉形杆销	Pin	1
16	135020000	压脚送料变动曲柄轴组件	Crank shaft complete	1
17	13504020	压脚送料曲柄	Presser swing shaft	1
18	002S13011	前曲柄螺钉	Screw	1
19	101S11008	提升压脚导柱板螺钉	Screw	4
20	13509004	提升压脚导柱板	Lifting presser plate	1
21	135S20003	压脚送料曲柄送料螺钉	Screw	1
22	13504021	压脚送料曲柄	Presser lifting crank	1
23	135S26007	脚踏轴销	Pin	1
24	002001	六角螺母M6.0, 7.5	Nut	1
25	135S30007	摆压脚调压螺钉	Lifting presser adjusting screw	1
26	135S16006	摆压脚调压螺母	Lifting presser adjusting nut	2
27	13512018	摆压脚调压螺钉架	Lifting presser bracket for spring	1
28	13505012	压脚送料曲柄连杆	Presser feed crank link	1
29	135S11034	压脚送料曲柄螺钉	Screw	2
30	13504010	压脚送料曲柄	Presser feed crank	1
31	13527013	摆压脚调压弹簧	Lifting presser spring	1
32	135020100	调压弹簧导柱	Presser spring guide	1
33	13501005	提升压脚导柱定位板	Lifting presser guide plate	1
34	13501006	摆压脚衬	Presser rod guide	1
35	116S11005	提升压脚送料板螺钉	Screw	2
36	13512019	提升压脚送料板	Lifting presser sway crank guide pin	1
37	13504011	送布轴曲柄(中)	Feed rocker shaft crank (中)	1
38	116S11005	送布轴曲柄(中)螺钉	Screw	1
39	101S11025	大送料曲柄送料板销钉	Screw	1
40	135S20004	大送料曲柄送料板销钉	Screw	1
41	13510006	压脚升降偏心轮	Eccentric wheel	1
42	001S15007	螺钉	Screw	2
43	13508013	连杆	Eccentric wheel rod	1
44	135S20005	压脚送料曲柄送料螺钉	Screw	1
45	13505014	摆压脚送料轴	Presser swing crank(right)rod	1
46	135S11035	偏心送料曲柄送料螺钉	Screw	1
47	13504012	压脚送料曲柄	Presser swing crank(right)	1
48	13503014	压脚送料曲柄中轴套	Presser swing shaft bushing (right)	1
49	135S20006	偏心送料轴送料轴	Screw	1
50	003012	轴用C型挡圈25	C-type stop ring	1
51	13528008	垫圈	Washer	1
52	13504013	偏心送料曲柄	Presser lifting shaft	1
53	13603028	摆压脚提升中轴套	Presser swing shaft bushing (middle)	1
54	13603029	摆压脚提升轴套	Presser lifting shaft bushing	1
55	135S15008	垫圈六角螺母	Screw	3
56	13508009	垫圈	Thrust collar asm.	1
57	135S15004	紧固螺钉	Screw	2
58	13508008	压脚送料曲柄轴套	Presser swing shaft bushing (left)	1
59	13502023	压脚送料轴	Presser swing shaft	1
60	101S11001	摆压脚叉形杆螺钉	Screw	1
61	114220800	摆压脚送料油封	Oil seal	1
62	13520002	偏心送料轴送料轴	Oil felt for needle bar	1
63	13527015	偏心送料轴送料轴簧	Spring	1
64	13512020	提升压脚送料架	Lifting presser guide plate	1
65	135S11036	导柱架螺钉	Screw	1
66	003025	弹性挡圈3X8	Spring plug	2
67	002S13011	后曲柄螺钉	Screw	1
68	135S20011	压脚送料送料螺钉	Screw	1
69	13603021	摆压脚提升后轴套	Presser lifting shaft bushing	1
71	13502022	压脚升降轴	Shaft	1



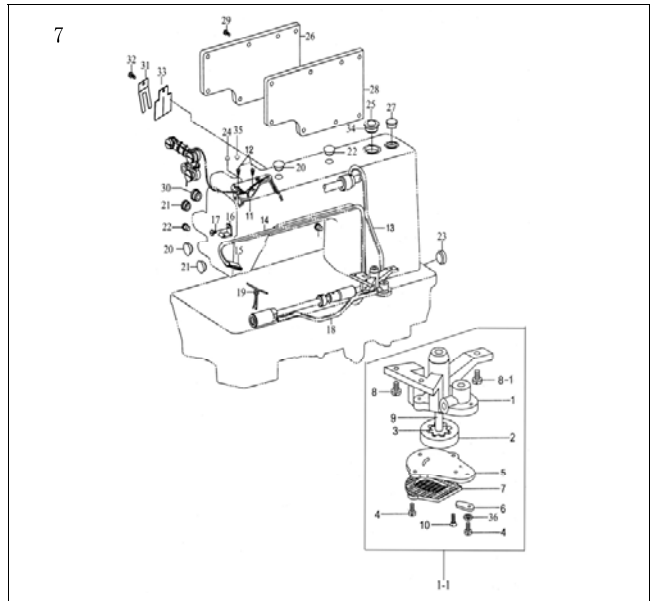
5. 压脚部件 Presser Foot

序号NO.	公司件号 Part No.	名称PartName	零件描述Description	数量Number
1	14711005	压脚扳手	Presser bar lifter	1
2	101S11008	压脚扳手螺钉	Set screw	1
3	13S10004	压脚杆提升凸轮	Presser bar lifting cam	1
4	001009	O型圈4.5X1.8	O-ring	1
5	14727012	轴向前压簧	Presser spring	1
6	13S12013	膝控提升杆(左)	Knee lifter lever (left)	1
7	13S10005	松线凸轮	Tension releasing cam	1
8	13S811026	膝控提升杆(左)螺钉	Knee lifter lever (left) screw	1
9	13S811027	铰链螺钉	Hinged screw	2
10	13S12014	膝控提升杆	Knee lifter rod	1
11	13S811028	松线凸轴螺钉	Screw	1
12	13S02018	松线杆	Tension releasing pin	1
13	13S12015	膝控提升杆(右)	Knee lifter lever (right)	1
14	13S27010	膝控提升杆(右)弹簧	Presser spring	1
15	13S12016	膝控提升杆	Knee lifter connecting rod	1
16	13S29005	弹簧销	Pin for spring	1
17	13S812002	膝控提升杆(右)螺钉	Knee lifter lever (right) screw	1
18	13S03013	压紧杆轴套	Presser bar bushing	1
19	13S02019	压紧杆	Presser bar	1
20	13S05009	压紧杆导架	Presser bar lifting bracket	1
21	13S815003	压紧杆导架螺钉	Set screw	2
22	13S12017	前冲勾	Before tick off	1
23	14727011	压紧杆弹簧	Presser spring	1
24	13S830004	锁压螺钉	Lock nut	1
25	13S816003	锁压螺钉锁紧螺母	Set screw	1
26	101S11009	压脚螺钉	Screw	1
27	13S28007	垫圈	Washer	1
28	13S16001	小压脚	Presser foot complete	1
29	11413011	固定式线勾	Upper thread guide	1
30	401S16001	螺母	Screw	1
31	13S830005	轴向前压簧	Auxiliary lock nut	1
32	13S120100	膝控提升杆(左)组件	Knee lifter lever (left)asm	1



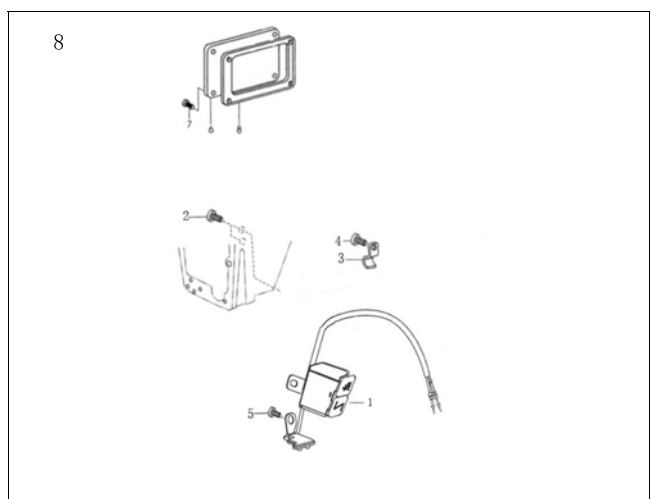
6. 旋梭部件 Hook components

序号NO.	公司件号 Part No.	名称PartName	零件描述Description	数量Number
1	13S02002	竖轴	Uprig shaft	1
2	13S25001	上轴伞齿轮	Gear asm.	1
3	101S15007	螺钉	Screw	8
4	13S25002	竖轴伞齿轮(上)	Gear asm.	1
5	13S25003	下轴伞齿轮	Gear asm.	1
6	13S25004	竖轴伞齿轮(下)	Gear asm.	1
7	13S02018	竖轴轴套(上)	Bushing, upper	1
8	13S03019	竖轴下轴套	Uprig shaft bushing, over	1
9	13S815008	螺钉	Screw	2
10	10818502	梭壳	Hook asm	1
11	10818501	梭芯	Bobbin	1
12	1081801	梭板	Hook asm	1
13	13S02007	下轴	Hook driving shaft	1
14	10123003	下轴滤油布	Oil wick	1
15	13S520007	下轴滤油螺钉	Screw	1
16	13S03009	下轴前轴套	Bushing, front	1
17	13S520008	油盒调节螺钉	Oil adjusting screw	1
18	13S27005	油盒调节弹簧	Spring	1
19	10108002	下轴挡圈	Thrust collar asm.	1
20	101S11012	螺钉	Screw	2
21	13S03025	下轴后轴套	Bushing, rear	1
22	13S815009	下轴轴套螺钉	Screw	2
23	13S02008	柱塞	Plunger	1
24	13S27006	柱塞弹簧	Plunger spring	1
25	13S12009	挡板	Guide plate	1
26	13S811019	挡板螺钉	Screw	1
27	13S12005	旋梭定位勾	Rotating hook positioner	1
28	101S11011	旋梭定位勾螺钉	Screw	1
29	13S21001	下轴轴套油管	Oil pipe for hook shaft bushing	1
30	002004	挡板螺钉弹簧垫圈	Washer	1
31	10122015	下轴油封	Plunger	1



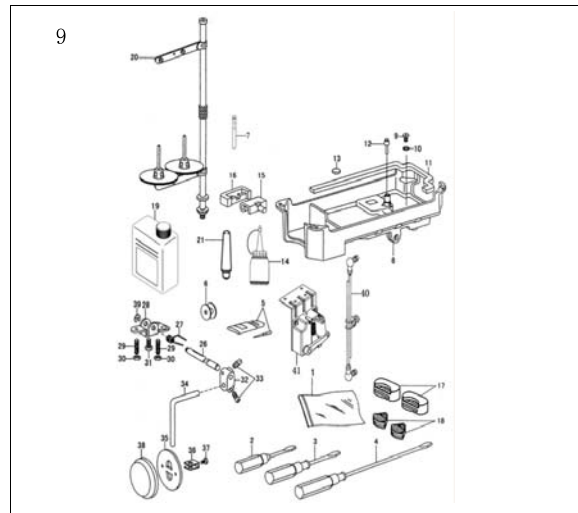
7. 油泵部件 Oil pump and Lubrication mechanism

序号NO.	公司件号 Part No.	名称PartName	零件描述Description	数量Number
1-1	13S2900200	油泵组件	Oil pump asm	1
1	13S29001	油泵体	Oil pump	1
2	13S25005	油泵大齿轮	Big gear for oil pump	1
3	13S25006	油泵小齿轮	Small gear for oil pump	1
4	13S811037	油泵调节板螺钉	Screw	3
5	13S12021	油泵体盖板	Cover for oil pump	1
6	13S12022	油泵调节板	Adjusting plate for oil pump	1
7	13S12024	油泵滤网	Filter complete	1
8	10S811019	油泵螺钉	Screw	3
9-1	114S11004	油泵螺钉	Screw	1
9	13S02024	油泵体短轴	Shaft for oil pump	1
10	830204	油泵体盖板螺钉	Screw	1
11	13S1202400	油线固定板大组件	Oil wick set plate complete	1
12	101S11010	油线固定板螺钉	Screw	2
13	13S2100700	上轴油管组件	Oil pipe complete for upper shaft	1
14	12921002	回油管 Φ3XΦ4	Oil return pipe	1
15	13S23003	回油管滤毡	Oil felt	1
16	13S12025	回油管夹	Pipe return pipe clamp	1
17	201S11014	回油管夹螺钉	Screw	1
18	13S2100100	下轴油管组件	Oil pipe for arm shaft	1
18-1	13S21001	下轴油管	Oil pipe for shaft	1
18-2	13S36001	下轴油管接头	Hose connector	1
19	10423005	油线 5x260/2.5x290	Oil wick	各1
20	13S22001	面板橡皮塞(Φ19)	Rubber plug(Φ19)	1
21	13S22002	面板橡皮塞(Φ11.8)	Rubber plug(Φ11.8)	2
22	13S22003	橡皮塞(Φ8.8)	Rubber plug Φ8.8	2
23	13S22004	橡皮塞(Φ27)	Rubber plug Φ27	1
24	13S22005	橡皮塞(Φ5.7)	Rubber plug Φ5.7	2
25	10111004	油窗	Oil sight window	1
26	304715	后盖板	Side plate	1
27	13S22008	橡皮塞(Φ25.5)	Rubber plug Φ25.5	1
28	14722006	后盖板密封垫片	Gasket	1
29	101S11001	后盖板螺钉	Screw	8
30	12922001	橡皮塞	Rubber plug Φ12.5	1
31	305102	小挡油板	Keep off plate	1
32	101S11004	小挡油板螺钉	Screw	1
33	14722011	小挡油板羊毛毡	Gasket	1
34	10122019	油窗O型圈	O-ring	1
35	14022013	AAS-0754孔塞8.5	Rubber plug Φ8.5	1
36	002002	油泵调节板螺钉弹簧垫圈	Spring washer	1



8. 开关组件 Switch components

序号NO.	公司件号 Part NO.	名称PartName	零件描述Description	数量Number
1	1473000600	LED灯开关组件	Switch assembly	1
2	101s11004	开关安装架螺钉	Screw	1
3		塑料线夹	Clamp	3
4	101s11002	塑料线头螺钉	Screw	1
5	101s11004	开关安装架螺钉	Screw	2
6	302662	绝缘电磁铁盖板	Backstitch solenoid cover	1
7	301s11011	绝缘电磁铁螺钉	Screw	4
8	13628009	绝缘电磁铁垫片	Seals	1



9. 附件 Oil Reservoir Accessories

序号NO.	公司件号 Part NO.	名称PartName	零件描述Description	数量Number
1	40131017	防尘罩	Machine head cover	1
2	10131004	螺钉起子(小)	Screw driver(small)	1
3	10131003	螺钉起子(中)	Screw driver(middle)	1
4	10131002	螺钉起子(大)	Screw driver(large)	1
5	13517001	机针	Needle	4
6	10818501	梭芯	Bobbin	5
7	11212001	过线柱	Needle bar crank	1
8	13501007	油盒	Oil reservoir	1
9	135S11041	放油螺钉	Screw	1
10	301017	放油螺钉垫圈	Washer	1
11	13523006	油盒垫	Gasket	1
12	13511006	膝控提升顶杆	Knee press lifter rod	1
13	10131001	磁块	Magnet	1
14	20131038	小油壶	Oil pot	1
15	10122060	机壳胶垫	Rubber coat	2
16	101203100	机壳胶垫套	Hing	2
17	10122023	机头防震垫块(大)	Cushion(big)	2
18	10122022	机头防震垫块(小)	Cushion(small)	2
19	101110200	油箱	Oil tank	1
20	1353100800	线架组件	Spool stand complete	1
21	10111011	机头支柱	Frame support bar	1
26	13502025	膝控拉簧轴	Hinge pin	1
27	13527014	膝控复位弹簧	Spring	1
28	13512026	膝控限位架	Knee lifter stop bracket	1
29	135S15019	膝控限位架螺钉	Screw	2
30	001029	调节螺母	Nut	2
31	135S12003	膝控限位架螺钉	Screw	1
32	10101008	磁块弯杆接头	Connector	1
33	101s12003	磁块弯杆接头螺钉	Screw	2
34	10112028	膝控磁块弯杆	Bent rod	1
35	10112029	膝控磁块	Bell	1
36	10112030	膝控架	Bell bracket	1
37	101s12004	膝控架螺钉	Screw	1
38	1012024	磁块垫	Pat	1
39	005011	开口挡圈	Split stop ring	1
40		脚踏连杆	Podal connecting rod	1
41		电控制脚踏	Electric control pedal	1